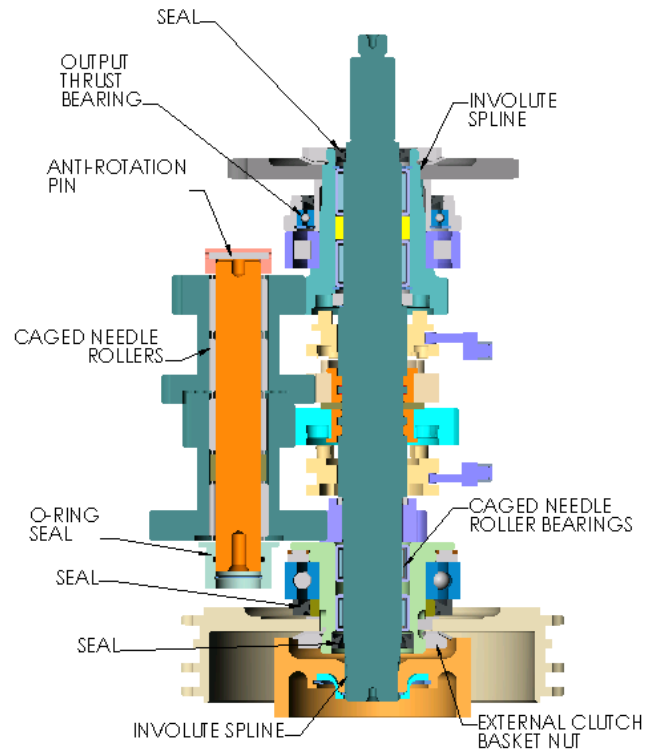
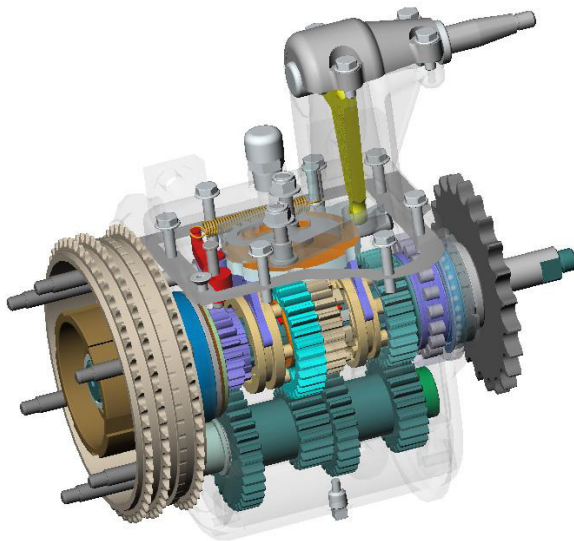


CHIEF- OVERDRIVE 4 SPEED OVERDRIVE CONSTANT MESH GEARBOX FOR 1934-53 CHIEF



RATIOS AVAILBLE COMPARED TO STOCK THREE SPEED

OUTPUT FOR ONE TURN OF INPUT OF INPUT			
GEARBOX:	3 SPEED	4 SPEED HI	4SPEED LO
FIRST	0.405	0.507	0.436
SECOND	0.711	0.743	0.689
THIRD	1.000	1.000	1.000
OVERDRIVE		1.355	1.166
INPUT FOR ONE TURN OF OUTPUT			
GEARBOX:	3 SPEED	4 SPEED HI	4SPEED LO
FIRST	2.469	1.972	2.291
SECOND	1.406	1.346	1.452
THIRD	1.000	1.000	1.000
OVERDRIVE		0.738	0.858

SPROCKETS AVAILABLE FROM 19T
THROUGH 26T
ORDERING INFO:
STATE WHETHER SPRING FRAME OR
RIGID
HIGH OVERDRIVE OR LOW
OVERDRIVE
NUMBER OF TEETH ON SPROCKET.